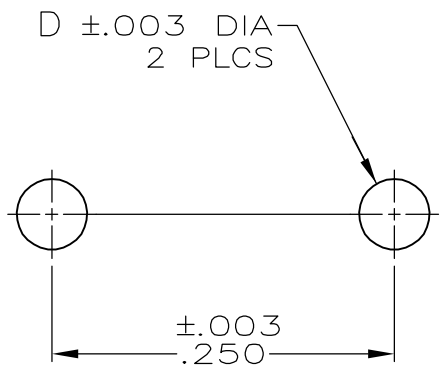
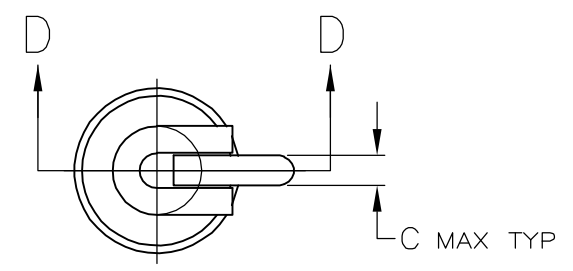
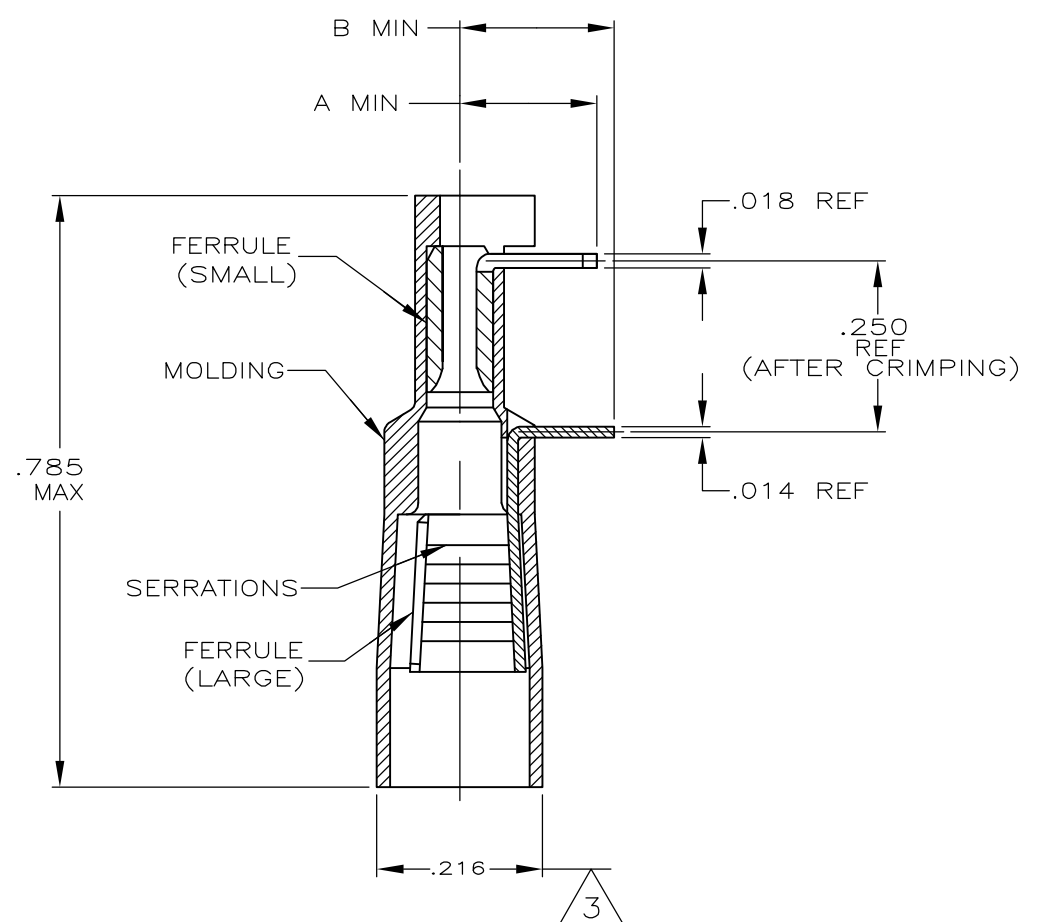


THIS DRAWING IS UNPUBLISHED. RELEASED FOR PUBLICATION  
 © COPYRIGHT - BY TYCO ELECTRONICS CORPORATION. ALL RIGHTS RESERVED.

|     |      |           |     |                             |         |     |      |
|-----|------|-----------|-----|-----------------------------|---------|-----|------|
| LOC | DIST | REVISIONS |     |                             |         |     |      |
| AJ  | 16   | P         | LTR | DESCRIPTION                 | DATE    | DWN | APVD |
|     |      |           | AC  | REVISED PER EC 0S14-0456-04 | 13DEC05 | BL  | JL   |



PCB LAYOUT



SECTION D-D

1. LARGE FERRULE: FOR .110 MAX DIA BRAID
2. SMALL FERRULE: FOR #26 TO #28 AWG WIRE
3. THE AVERAGE OF THE OUT OF ROUNDNESS DIMENSIONS MUST FALL WITHIN THE SPECIFIED TOLERANCE
4. MATERIAL;  
 MOLDING: NYLON PER MIL-M-20693  
 LARGE FERRULE: BRASS PER ASTM-B-36  
 SMALL FERRULE: COPPER PER QQ-C-576
5. FINISH;  
 MOLDING: COLOR-NATURAL  
 LARGE FERRULE: MATTE TIN PL PER ASTM-B-545 .000040 MIN THK OVER NICKEL PL PER QQ-N-290  
 SMALL FERRULE: MATTE TIN PL PER ASTM-B-545

6. INSTRUCTION SHEET NO.: 408-2469

|          |                 |         |             |      |      |      |      |         |
|----------|-----------------|---------|-------------|------|------|------|------|---------|
| OBSOLETE | FOR 1/8" BOARD  | .155 OZ | LOOSE PIECE | .040 | .036 | .260 | .255 | 53230-5 |
|          | FOR 1/8" BOARD  | .155 OZ | LOOSE PIECE | .046 | .042 | .260 | .255 | 53230-3 |
| OBSOLETE | FOR 1/16" BOARD | .148 OZ | LOOSE PIECE | .046 | .042 | .175 | .160 | 53230-1 |

| USE                                    | WEIGHT | PACKAGED                               | D       | C       | B         | A          | ASSY NO       |  |
|--|--------|--|---------|---------|-----------|------------|---------------|--|
| THIS DRAWING IS A CONTROLLED DOCUMENT. |        | DWN                                    | 1/10/92 |         |           |            |               | Tyco Electronics Corporation<br>Harrisburg, PA 17105-3608                          |
| DIMENSIONS: INCHES                     |        | CHK                                    | 1/23/92 |         |           |            |               |  |
|  |        | TOLERANCES UNLESS OTHERWISE SPECIFIED: |         | APVD    |           |            |               | NAME<br>D. DOYE<br>PRODUCT SPEC<br>TERMASHIELD ASSY,PRE-INSULATED,<br>FUNNEL ENTRY |
| MATERIAL                               |        | FINISH                                 |         | APVD    |           |            |               |  |
| 4                                      |        | 5                                      |         | 1/23/92 |           |            |               |  |
| APPLICATION SPEC                       |        | WEIGHT                                 |         | SIZE    | CAGE CODE | DRAWING NO | RESTRICTED TO |  |
| -                                      |        | -                                      |         | A3      | 00779     | C-53230    | -             |  |
| CUSTOMER DRAWING                       |        |  |         | SCALE   | SHEET     | REV        |               |  |
|  |        |  |         | 1:1     | 1 OF 1    | AC         |               |  |